

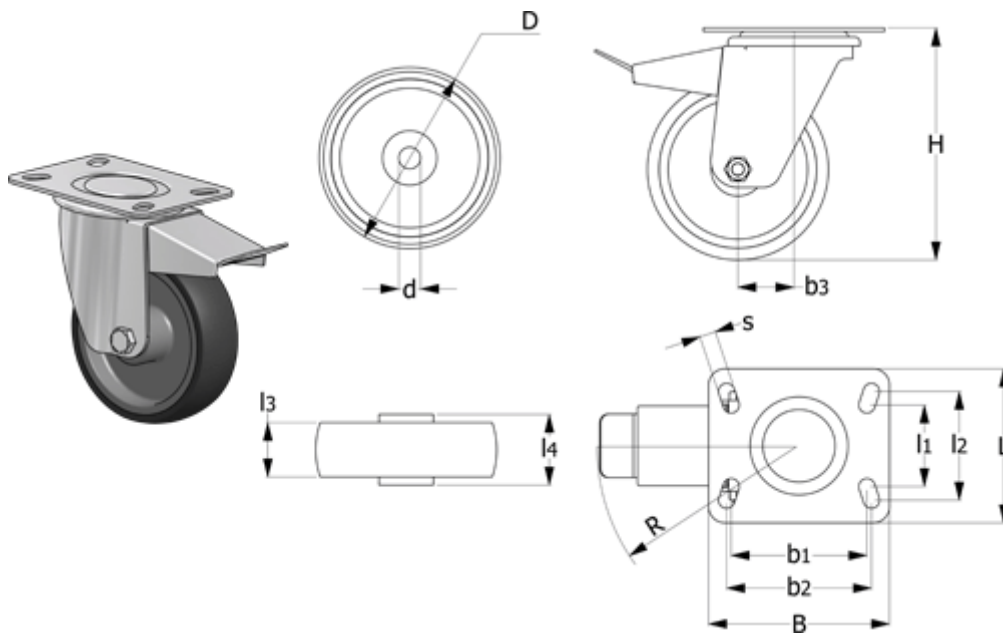
Data Sheet



Article number: 2314452606

Description: E+G Thermoplastic wheel 452606
RE.G1-100-SBF turning plate w/brake

Measures



B	= 100	g = 850	Rolling resistance (N) = 1000
b1	= 75	H = 128	s = 9
b2	= 80	L = 85	Type = RE.G1-100-SBF
b3	= 35	l1 = 45	
Code	= 452606	l2 = 60	
D	= 100	l3 = 30	
d	= 12	l4 = 44	
Dynamic load (N)	= 1000	R = 120	